

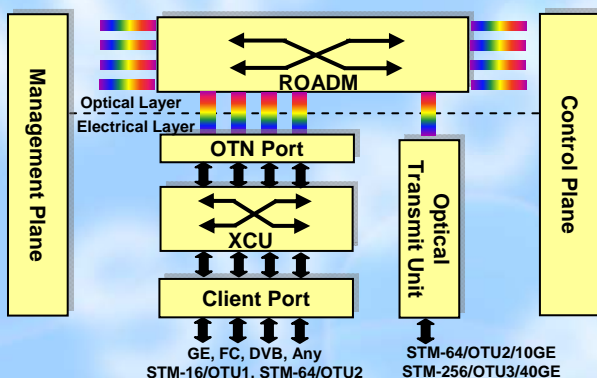
FN1100

Long-haul DWDM/OTN PLATFORM

Product Overview

FN1100 is a multi-service intelligent WDM product based on OTN technology. FN1100 adopts combined dispatching technology in optical and electrical layers and has the aggregation, cross-connection and transmission functions. After loading intelligent control plane based on GMPLS, FN1100 has SDH-Like flexibility of management and WDM-like large capacity and long haul transmission advantages. The platform adopts many advanced technologies such as ROADM, 40G, 100G, ASON/GMPLS etc and also has flexible structure, so it is more suitable for broadband service transmission.

FN1100 supports application in multi-service, huge capacity and completely transparent transport network and can be used in backbone and metropolitan. FN1100 can construct WDM network, also can construct mixed network with PTN/ASON/MSTP to realize total transport solution.



Key Features

Huge Transmission Capacity

Implement access of 48/96 wavelength in C-Band, configured into system of 40/48 wavelengths x 10/40Gbps, 80/96 wavelengths x 10/40Gbps and support smoothly upgrade from 40Gbps to 100Gbps * Under Development

Abundant Service Interfaces

Adopting G.709 Digital wrapping to carry all kinds of protocol (IP/Ethernet, ATM, SDH, ESCON, FICON, Fibre Channel and Digital Video etc) or bit-rate (100Mbps to 2.5Gbps, 5Gbps, 10Gbps, 40Gbps, etc). It has TMUX function so as to improve bandwidth utilization ratio.

Flexible Service dispatching

Adopting combined dispatching technology in electrical layer and optical layer to realize flexible cross-connection dispatching.

Intelligent Optical Network

Support Control plane loading based on GMPLS, smooth upgrade to ASON transport network based on OTN.

Technical Summary

FN1100	
System Capacity	Smooth upgrade capability of 48/96 wavelength; Maximum system capacity up to 3.84Tbits/s
Line interface bit-rate	2.5Gbit/s (NRZ) 10Gbit/s (NRZ) 40Gbit/s (sDPSK, RZ-DQPSK)
Cross-connect dispatching	ODU1, ODU2 granules dispatching in electrical layer Cross-connection capacity up to 360G
OADM	FOADM/ROADM supports add/drop up to all wavelengths and ROADM can support up to 8 dimensions
Access service types	STM-1/4/16/64/256, OC3/12/48/192/768 OTU1, OTU2, OTU3 GE, 10GE LAN, 10GE WAN, 40GE ESCON, FICON, FC100/200/400/800/1200 DVB, HDTV, Any-rate (100Mbit/s~2.7Gbit/s)
Supervisory channel	OSC or ESC
Equipment level protection	-48V power, EMU, XCU, ASCU, PWR, Intelligent Fan unit support 1+1 redundancy backup
Network level protection	Optical channel 1+1 wavelength/route protection Optical multiplex section 1+1 protection Optical line protection Och 1+!, Och m:n, Och Ring ODUk 1+1, ODUk m:n, ODUk Ring
Power	-48V +/- 20% (DC)
Maximum power consumption	1500W
OTH subrack dimension	947mmx496mmx248.3mm (HxWxD)
Optical Channel subrack dimension	520.5mmx496mmx248.3mm (HxWxD)
Cabinet dimension	1600mmx600mmx300mm (HxWxD) 2000mmx600mmx300mm (HxWxD) 2200mmx600mmx300mm (HxWxD) 2600mmx600mmx300mm (HxWxD)
Environment	Operating temperature: -5 ~ 45°C Relative humidity:5%~95%



Safety Precautions

★Before installing, connection or using this product, be sure to carefully read and observe the cautionary and prohibited matters provided in the instruction manual.

- The company names and product names given in this catalog are trademarks or registered trademarks of the respective companies.
- The configuration or specifications are subject to change without prior notice due to continual improvements.

Published by:

NEC Corporation
Global Network Division

For inquiries, contact :

Empowered by Innovation