

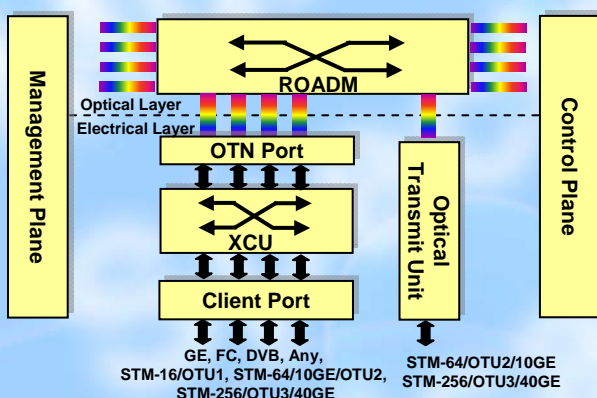
# FN1200

## Long-haul DWDM/OTN PLATFORM

### Product Overview

FN1200 is a multi-service intelligent WDM product based on OTN technology. FN1200 adopts combined dispatching technology in optical and electrical layers and has the aggregation, cross-connection and transmission functions. After loading intelligent control plane based on GMPLS, FN1200 has SDH-Like flexibility of management and WDM-like large capacity and long haul transmission advantages. The platform adopts many advanced technologies such as ROADM, 40G, 100G, ASON/GMPLS etc and also has flexible structure, so it is more suitable for broadband service transmission.

FN1200 supports application in multi-service, huge capacity and completely transparent transport network and can be used in backbone and metropolitan. FN1200 can construct WDM network, also can construct mixed network with PTN/ASON/MSTP to realize total transport solution.



### Key Features

#### Huge Transmission Capacity

Implement access of 48/96 wavelength in C-Band, configured into system of 40/48 wavelengths x 10/40Gbps, 80/96 wavelengths x 10/40Gbps and support smoothly upgrade from 40Gbps to 100Gbps \* Under Development

#### Abundant Service Interfaces

Adopting G.709 Digital wrapping to carry all kinds of protocol (IP/Ethernet, ATM, SDH, ESCON, FICON, Fibre Channel and Digital Video etc) or bit-rate (100Mbps to 2.5Gbps, 5Gbps, 10Gbps, 40Gbps, etc). It has TMUX function so as to improve bandwidth utilization ratio.

#### Flexible Service dispatching

Adopting combined dispatching technology in electrical layer and optical layer to realize flexible cross-connection dispatching.

#### Intelligent Optical Network

Support Control plane loading based on GMPLS, smooth upgrade to ASON transport network based on OTN.

# Technical Summary

<b>FN1200</b>	
<b>System Capacity</b>	Smooth upgrade capability of 48/96 wavelength; Maximum system capacity up to 3.84Tbits/s
<b>Line interface bit-rate</b>	2.5Gbit/s (NRZ)    10Gbit/s (NRZ) 40Gbit/s (sDPSK, RZ-DQPSK)
<b>Cross-connect dispatching</b>	ODU1, ODU2, ODU3 granules dispatching in electrical layer Cross-connection capacity up to 1.44Gbps
<b>OADM</b>	FOADM/ROADM supports add/drop up to all wavelengths and ROADM can support up to 8 dimensions
<b>Access service types</b>	STM-1/4/16/64/256, OC3/12/48/192/768 OTU1, OTU2, OTU3 GE, 10GE LAN, 10GE WAN, 40GE ESCON, FICON, FC100/200/400/800/1200 DVB, HDTV, Any-rate (100Mbit/s~2.7Gbit/s)
<b>Supervisory channel</b>	OSC or ESC
<b>Equipment level protection</b>	-48V power, EMU, XCU, ASCU, PWR, Intelligent Fan unit support 1+1 redundancy backup
<b>Network level protection</b>	Optical channel 1+1 wavelength/route protection Optical multiplex section 1+1 protection Optical line protection Och 1+!, Och m:n, Och Ring ODUk 1+1, ODUk m:n, ODUk Ring
<b>Power</b>	-48V +/- 20% (DC)
<b>Maximum power consumption</b>	1500W
<b>OTH subrack dimension</b>	947mmx496mmx248.3mm (HxWxD)
<b>Optical Channel subrack dimension</b>	520.5mmx496mmx248.3mm (HxWxD)
<b>Cabinet dimension</b>	1600mmx600mmx300mm (HxWxD) 2000mmx600mmx300mm (HxWxD) 2200mmx600mmx300mm (HxWxD) 2600mmx600mmx300mm (HxWxD)
<b>Environment</b>	Operating temperature: -5 ~ 45°C Relative humidity:5%~95%



## Safety Precautions

★Before installing, connection or using this product, be sure to carefully read and observe the cautionary and prohibited matters provided in the instruction manual.

- The company names and product names given in this catalog are trademarks or registered trademarks of the respective companies.
- The configuration or specifications are subject to change without prior notice due to continual improvements.

### Published by:

NEC Corporation  
Global Network Division

For inquiries, contact :

Empowered by Innovation